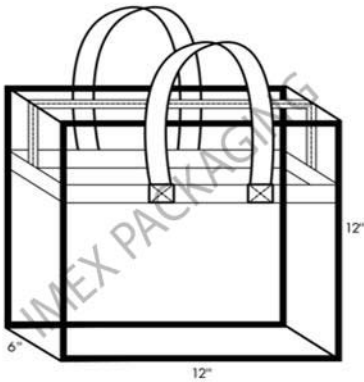


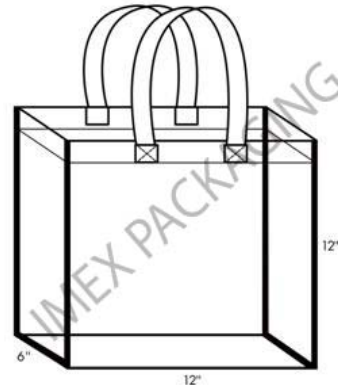


CLEAR STADIUM BAGS

NEW ITEMS



CVNFLBZIP



CVNFLBK

ZIPPER TOP TOTE	
Size (L x H x W)	IMEX Part #
12" x 12" x 6"	CVNFLBZIP
5 Panel Zipper Tote Bag; 8 gauge Clear Phthalate Free Vinyl; #4 Black Nylon Zipper thru top and down 3" each side; Black IMEX Cosmetic POM puller; Black 75 gram PPNW sewn seams; Two 2-ply 1x26.5" PPNW handles, sewn into 1" band; Band is sewn on all 4 sides	
100/Carton	1 Carton <i>Minimum</i>

OPEN TOP TOTE	
Size (L x H x W)	IMEX Part #
12" x 12" x 6"	CVNFLBK
3-Panel Open Tote Bag; 8 gauge Clear Phthalate Free Vinyl; Open at Top without closure; Black 75 gram PPNW sewn seams; Black thread; Two 2-ply 1x26.5" black 75 Gram PPNW Handles, sewn into 1" (2-ply PVC lip)	
100/Carton	1 Carton <i>Minimum</i>

To provide a safer environment for the public and significantly expedite fan entry into stadiums, NFL teams have implemented an NFL policy this year that limits the size and type of bags that may be brought into stadiums. These bags meet this requirement!

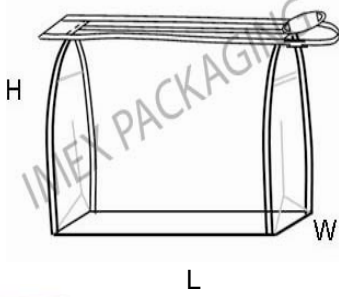


2559 Plantation Center Dr
Matthews, NC 28105

Phone: 704-815-4600
Fax: 704-815-4601



Cosmetic Style Stock Bags



Zipper Bags with Hang Loop

Size (L x H x W)	IMEX Part #
4" x 6" x 1.5"	CV461W or B
4" x 8" x 2"	CV482W or B
5" x 7" x 1.5"	CV571W or B
6" x 4" x 1.5"	CV641W or B
6" x 8" x 1.5"	CV681W or B
7" x 5" x 1.5"	CV751W or B
8" x 6" x 1.5"	CV861W or B
8.5" x 8" x 2.5"	CV882W or B

6 gauge DPC, white or black (W or B) sewn binding and zipper, nylon zipper goes *through* the top and extends beyond one side; has carry loop at other end, 500/carton

2 Carton *Minimum*

Zipper Bags with Hang Loop

Size (L x H x W)	IMEX Part #
6" x 4" x 1.5"	CV641H
7" x 5" x 1.5"	CV751H
8" x 6" x 1.5"	CV861H
8.5" x 8" x 2.5"	CV882H

6 gauge DPC PEVA-front panel; Frosted PEVA-back panel; Natural Hemp—(2) sides and bottom panel, Hemp sewn binding and matching #3 PMS# Warm Gray 4C nylon zipper goes through the top and extends beyond one side; has carry loop at other end; 500/carton

1 Carton *Minimum*



All Cosmetic-Style Stock Bags are made with 6 or 8 gauge Double Polished Clear ("DPC") vinyl

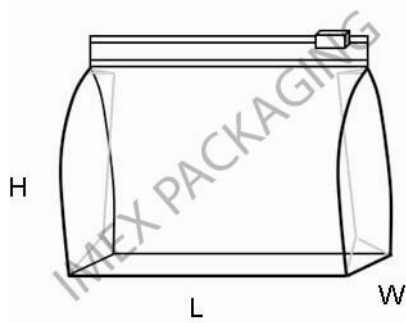
imex PACKAGING
The Clear Choice

2559 Plantation Center Dr
 Matthews, NC 28105

Phone: 704-815-4600
 Fax: 704-815-4601



Cosmetic Style Stock Bags



PVC Zipper Slider Bags	
Size (L x H x W)	IMEX Part #
6" x 4" x 1.5"	CV641Z
7" x 5" x 1.5"	CV751Z
6" x 9" x 1.75"	CV691Z
8" x 6" x 1.5"	CV861Z
6 gauge DPC, heat sealed seams, PVC zipper and slider, 500/carton	
2 Carton <i>Minimum</i>	



3" dia x 6",
5" dia x 8"
and
4" dia x 9"

Drawstring Bags	
Size (dia x H)	IMEX Part #
3" dia x 6"	CV36WH or BL
4" dia x 9"	CV49WH or BL
5" dia x 8"	CV58WH or BL
6" dia x 12"	CV612WH or BL *
6" dia x 14"	CV614WH or BL *
6 gauge DPC vinyl, heat sealed seams, white or black drawstring pulls from two sides, 500 per carton	
*these are packed 400 per carton:	
2 Carton <i>Minimum</i>	



6" dia x 12" OR 14"
has top lip

All Cosmetic-Style Stock Bags are made with 6 or 8 gauge Double Polished Clear ("DPC") vinyl

imex PACKAGING
The Clear Choice

2559 Plantation Center Dr
Matthews, NC 28105

Phone: 704-815-4600
Fax: 704-815-4601



Cosmetic Style Stock Bags



Zipper bag with rope handles	
Size (L x H x W)	IMEX Part #
6" x 8" x 1.5"	CV681RW1 *
8" x 6" x 1.5"	CV861RW1
8" x 6" x 1.5"	CV861RB1
8.5" X 8" X 2.5"	CV882RW1
6 gauge DPC, white or black (RW or RB) sewn seams, white or black rope handle(s) through grommets, 400/carton	
*packed 500/carton	



Security Purse Style	
Size (L x H x W)	IMEX Part #
10" x 6" x 5"	CVSPW or CVSPB
11" x 7" x 5"	CV1175W or CV1175B
8 gauge DPC, white or black (W or B) sewn seams, clear PVC handles, 300/carton	
1 Carton <i>Minimum</i>	



Snap Bag	
Size (L x H x W)	IMEX Part #
4.5" x 3.25" x 1.25" + 2.25" flap	CV431S
6" x 4" x 1.5" + 1.5" flap	CV641S
6 gauge DPC, heat sealed seams, white PP snap on flap, 500/carton	

All Cosmetic-Style Stock Bags are made with 6 or 8 gauge Double Polished Clear ("DPC") vinyl

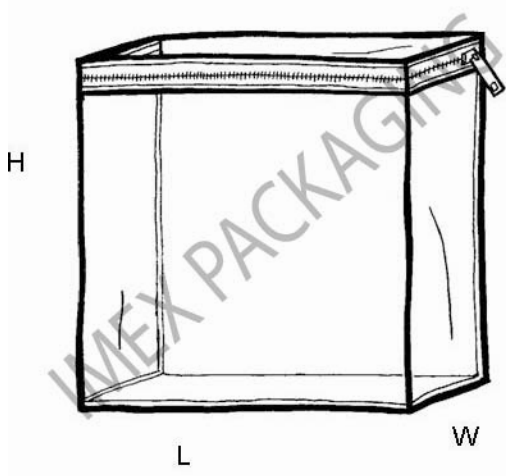
imex PACKAGING
The Clear Choice

2559 Plantation Center Dr
 Matthews, NC 28105

Phone: 704-815-4600
 Fax: 704-815-4601



Textile Style Stock Bags



Accessory Bags	
Size (L x H x W)	IMEX Part #
12.5" x 15.5" x 2.5"	VBT2.5
12.5" x 15.5" x 4"	VBT4
Above: 4 gauge clear vinyl, clear sewn seams, white nylon zipper around 3 sides of top, 288/carton	
4 carton minimum	

Large Clear Bags	
Size (L x H x W)	IMEX Part #
Comforter sizes:	
20" x 23" x 6"	VCB206
20" x 23" x 8"	VCB208
23" x 23" x 8"	VCB238
23" x 23" x 10"	VCB2310
23" x 23" x 12"	VCB2312
24" x 27" x 8"	VCB248
Blanket sizes:	
15" x 18" x 2"	VBB2
15" x 18" x 3"	VBB3
15" x 18" x 4"	VBB4
15" x 18" x 5"	VBB5
15" x 18" x 6"	VBB6
15" x 18" x 7"	VBB7
15" x 18" x 8"	VBB8
15" x 18" x 9"	VBB9
Above: 4 gauge clear vinyl, clear sewn seams, white nylon zipper around 3 sides of top, 144/carton	
7 carton minimum	

imex PACKAGING

The Clear Choice

2559 Plantation Center Dr
 Matthews, NC 28105

Phone: 704-815-4600
 Fax: 704-815-4601



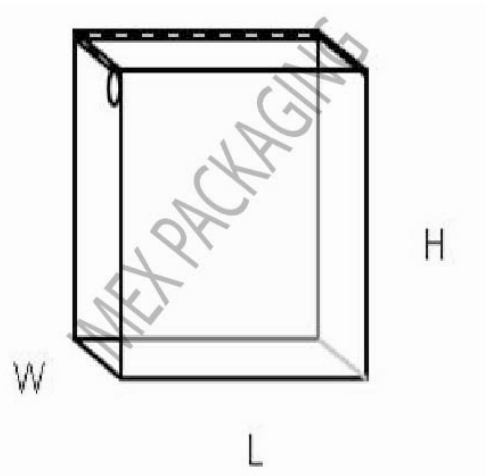
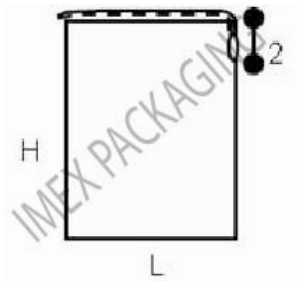
Textile Style Stock Bags

Accessory Bags w/white nylon zipper & POM puller

Size (L x H x W)	IMEX Part #
9.5" x 11.5" (flat bag)	VZBF
9.5" x 11.5" x 1"	VZB1
9.5" x 11.5" x 2"	VZB2
9.5" x 11.5" x 3"	VZB3
9.5" x 11.5" x 4"	VZB4
9.5" x 11.5" x 5"	VZB5
9.5" x 11.5" x 6"	VZB6

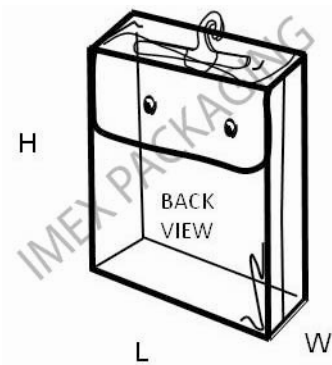
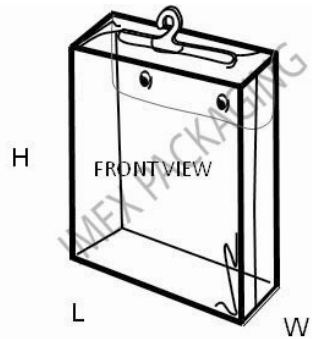
Above: 4 gauge clear vinyl, clear sewn seams, white nylon zipper around top w/POM puller, no pockets, 288/carton.

4 carton minimum





Textile Style Stock Bags



Accessory Bags w/hanger		
Size (L x H x W)	IMEX Part #	Gauge
6.5" x 11" x 1 + 3" flap	VTB611	4
Above: 4 gauge clear vinyl, heat sealed seams, flap with PVC snaps .		
9" x 11" x 0.5 + 4" flap	VTB0.5	5
9" x 11" x 1 + 4" flap	VTB1	5
9" x 11" x 2 + 5" flap	VTB92	6
9" x 11" x 2.5 + 5.5" flap	VTB92.5	6
Above: 5 or 6 gauge clear vinyl, heat sealed seams, flap with metal snaps , clear 109x hanger in top. 288/carton		
4 carton minimum		

Accessory Bags - Envelope Style	
Size (L x H x W)	IMEX Part #
10.5" x 12.25" + 3" flap (flat bag)	VMB1
Above: 4 gauge clear vinyl, heat sealed seams, flap with PVC snap. 480/carton	
2 carton minimum	

